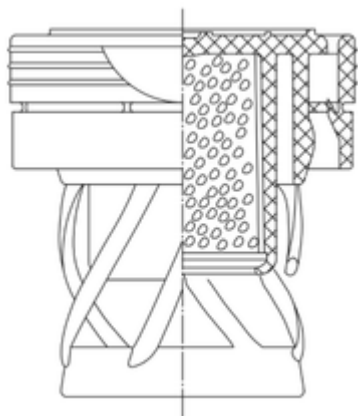


# DOSG-1

Desiccant closure with tamper-evident function and integrated spiral  
Food & Pharma registration



## Technical features:

<b>Type</b>	Closure
<b>Pill size</b>	25 mm
<b>Sealing diameter Closure</b>	27.8 mm
<b>Desiccant amount</b>	1.9 - 2.1 g
<b>Desiccant</b>	Silica Gel, molecular sieve, mixture
<b>Spacer</b>	✓
<b>Tamper-evident function</b>	✓

## Materials and construction:

<b>Material</b>	PE-LD
<b>Color(s)</b>	<a href="#">here you can see our color range</a>

## Production sites:

<b>Origin</b>	
---------------	---

All dimensions are approximate. For actual measurements please ask for the technical data sheet. All information given here do not release the customer from proving the suitability for his intended use.

## Matching components:

<b>Name</b>	<b>Type</b>	<b>Pill size</b>	<b>Length</b>
<b>R 536 AWG</b>	Tube	25 mm	53 mm
<b>R 253 AWG</b>	Tube	25 mm	70 mm
<b>R 544 AWG</b>	Tube	25 mm	75 mm
<b>R 514 AWG</b>	Tube	25 mm	85 mm
<b>R 276 AWG</b>	Tube	25 mm	91 mm
<b>R 507 AWG</b>	Tube	25 mm	99 mm
<b>R 229 AWG</b>	Tube	25 mm	99 mm
<b>R 268 AWG</b>	Tube	25 mm	120.5 mm
<b>R 508 AWG</b>	Tube	25 mm	126 mm
<b>R 510 AWG</b>	Tube	25 mm	130 mm
<b>R 331 AWG</b>	Tube	25 mm	138 mm
<b>R 230 AWG</b>	Tube	25 mm	143.5 mm
<b>R 502 AWG</b>	Tube	25 mm	152 mm
<b>R 526 AWG</b>	Tube	25 mm	175 mm
<b>T-IML-27/144 TE</b>	Tube	25 mm	143.5 mm
<b>T-IML-27/165 TE</b>	Tube	25 mm	165 mm

All dimensions are approximate. For actual measurements please ask for the technical data sheet. All information given here do not release the customer from proving the suitability for his intended use.