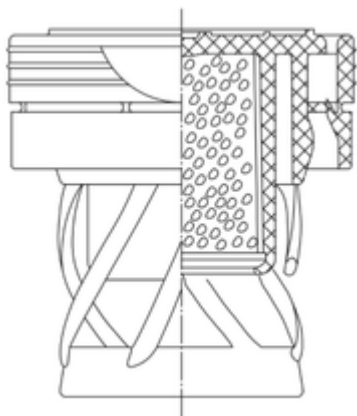


DOSG-8

Desiccant closure with tamper-evident function and integrated spiral
Food & Pharma registration



Technical features:

Type	Closure
Sealing diameter Closure	18 mm
Desiccant amount	0.7 g
Desiccant	Silica Gel, molecular sieve, mixture
Spacer	✓
Tamper-evident function	✓

Materials and construction:

Material	PE-LD
Color	white; other colors on request

Further suitable for:

Aluminum tubes with flat rim, length 70-120 mm, diameter 18 mm

All dimensions are approximate. For actual measurements please ask for the technical data sheet. All information given here do not release the customer from proving the suitability for his intended use.