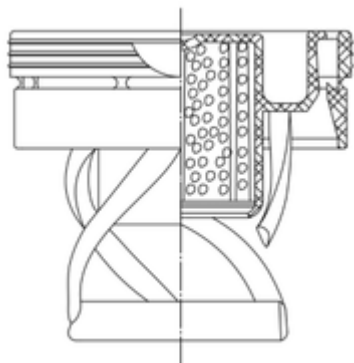


DASG-1

Desiccant closure with tamper-evident function and integrated spiral
Food & Pharma registration




Technical features:

Type	Closure
Pill size	25 mm
Sealing diameter Closure	27.8 mm
Desiccant amount	1.8 - 1.9 g
Desiccant	Silica Gel, molecular sieve, mixture
Spacer	✓
Tamper-evident function	✓

Materials and construction:

Material	PE-LD
Color(s)	here you can see our color range

Production sites:

Origin	
---------------	---

All dimensions are approximate. For actual measurements please ask for the technical data sheet. All information given here do not release the customer from proving the suitability for his intended use.

Matching components:

Name	Type	Pill size	Length
R 536 AWG	Tube	25 mm	53 mm
R 253 AWG	Tube	25 mm	70 mm
R 544 AWG	Tube	25 mm	75 mm
R 514 AWG	Tube	25 mm	85 mm
R 276 AWG	Tube	25 mm	91 mm
R 507 AWG	Tube	25 mm	99 mm
R 229 AWG	Tube	25 mm	99 mm
R 268 AWG	Tube	25 mm	120.5 mm
R 508 AWG	Tube	25 mm	126 mm
R 510 AWG	Tube	25 mm	130 mm
R 331 AWG	Tube	25 mm	138 mm
R 230 AWG	Tube	25 mm	143.5 mm
R 502 AWG	Tube	25 mm	152 mm
R 526 AWG	Tube	25 mm	175 mm
T-IML-27/144 TE	Tube	25 mm	143.5 mm
T-IML-27/165 TE	Tube	25 mm	165 mm

All dimensions are approximate. For actual measurements please ask for the technical data sheet. All information given here do not release the customer from proving the suitability for his intended use.